

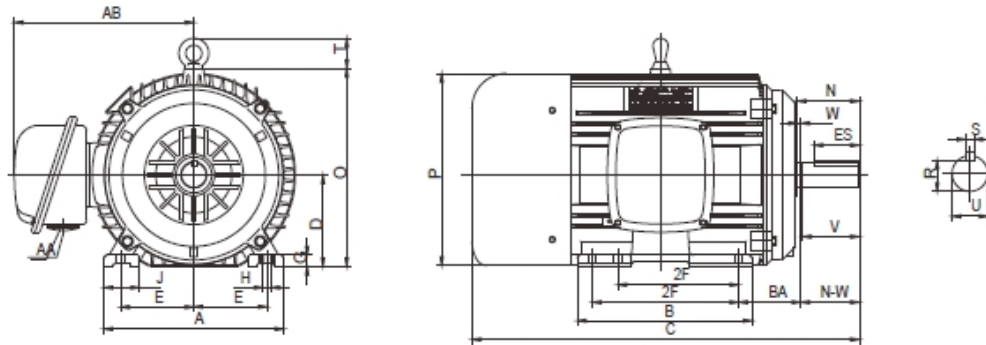


CONNEX ELECTRIC MOTORS

CCITP12-215-005

Premium Efficiency Cast Iron * TEFC * Three Phase Motor

Design B Meets NEMA Premium * IP55 Protection * High Torque * Inverter Duty



DIMENSIONAL DATA

| MOUNTING | | | | | | | CONDUIT BOX | | C-FLANGE | | |
|------------------|-------|-------|------|------|---------|-------|-------------|------|----------|--------|------|
| D | E | 2F | A | B | BA | H | AB | AA | AJ | AK | N |
| 5.25 | 4.25 | 7 | 10.5 | 9.4 | 3.5 | 0.41 | 9.65 | 1 | | | 3.65 |
| MOTOR DIMENSIONS | | | | | KEYSEAT | | | | BEARING | | |
| C | O | P | T | N-W | U | R | S | ES | DE | ODE | |
| 22.25 | 11.62 | 11.65 | 2.05 | 3.38 | 1.375 | 1.201 | 0.312 | 2.41 | 6308ZZ | 6306ZZ | |

PERFORMANCE DATA

50/60 Hz * Class F Insulation * 40°C Ambient * Continuous Duty * 1.15 Service Factor

| HP | Frame | Full Load RPM | Efficiency % | Power Factor | Full Load AMPS | Locked Rotor AMPS | VAC | LRT / TN | BRT / TN | APP. WEIGHT |
|----|-------|---------------|--------------|--------------|----------------|-------------------|--------------|----------|----------|-------------|
| 5 | 215T | 1170 | 89.5 | 0.75 | 6.92 | 46 | 208-230/460V | 150 | 215 | 175 |

CONNEX INDUSTRIAL CORP.

4975 AVALON RIDGE PKWY, SUITE 200, PEACHTREE CORNER, GA 30071

TOLL FREE: 1-877-884-2910 TEL: 770-248-9588 FAX: 770-248-9589

www.connex-electric.com